

# Morven Offshore Wind Farm

## Notice to Mariners

<b>NtM Number</b>	<b>Morven Windfarms/002 v01 Floating LiDAR system (FLS)</b>
-------------------	---

<b>Date of Issue</b>	<b>31/08/2022</b>
----------------------	-------------------

### 1 Planned Activity

Metocean instrumentation and a floating LiDAR system (FLS) are planned for deployment within the boundary of the proposed Morven Offshore Wind Farm Project site in the North Sea.

All instrumentation is planned for deployment within the Morven Project site in September 2022. A total of 2 metocean instrumentation moorings and 1 underwater noise monitoring mooring and one FLS mooring are to be deployed at each of two deployment locations within the Project site (known as Morven North and Morven South).

The metocean moorings will comprise one directional waverider buoy (DWR) which will be visible on the water surface, moored to the seabed through a combination of rope and rubber cords. The second metocean mooring will be a subsurface 'stumpy' mooring which will not be visible at the water surface but will float approximately 5 m above the seabed. The FLS mooring will comprise a surface visible buoy moored to the seabed through a combination of rope and chain via a single point mooring.

Marine users are requested to maintain the safe clearance distances as outlined in Section 3 below throughout the deployment period.

All equipment will be maintained in position via appropriate mooring systems and will gather metocean data to inform the proposed Project. Details of the surface present devices and relevant aids to navigation are provided below. Mooring diagrams for all instrumentation are provided in Section 7.

### FLS instrumentation

<b>Morven North</b> <b>Name: Morven Lidar North</b> <b>MMSI: 992351393</b>	<b>Morven South</b> <b>Name: Morven Lidar South</b> <b>MMSI: 992351394</b>
--	--

### Metocean DWR mooring



Yellow 'X' shaped topmark

Yellow in colour

FI (5) Y 20s light (3.0 nm range)

Flash rate not exceeding 20 per minute



Yellow in colour

FI (5) Y 20s light (4.0 nm range)

Flash rate not exceeding 20 per minute

## 2 Geographic co-ordinates and chart of survey area

All positions quoted in WGS84: latitude /longitude (in degrees decimal minutes)

Area	FLS anchor weight	DWR anchor weight	Metocean subsurface mooring anchor weight
Morven North	56°45.3546' N 001°00.2398'W	56°45.6214' N 001°00.6276'W	56°45.5284' N 001°00.4930'W
Morven South	56°34.2602' N 000°45.4042'W	56°33.9883' N 000°45.0082'W	56°34.0866' N 000°45.1514'W

## 3 Safe clearances, navigation safety features and safety notes for mariners

All vessels are requested to maintain a safe distance (500m) from any maintenance vessels at all times. All vessels are requested to maintain a safe distance (400m) from the deployed monitoring equipment as shown in Section 2 at all times.

## 4 Outline programme of works

### Deployment

FLS instrumentation	Metocean instrumentation
Estimated Deployment Date: September 2022	Estimated Deployment Date: September 2022

### Operation (both Mona and Morgan Project sites)

FLS instrumentation	Metocean instrumentation
Start: September 2022 End: September 2024	Start: September 2022 End: September 2023

### Maintenance schedule

FLS instrumentation	Metocean instrumentation
March 2023 September 2023 March 2024	December 2022 March 2023 June 2023

## 5 Vessel details

Vessel Name:	Lingestroom
Vessel Type / LOA(m):	Shoalbuster Tug / 34.80 m
VHF Call Sign:	PICW
MMSI:	244016000
Vessel Operator Telephone:	+31 (0) 184 490 244



## 6 Project Contact Details

### Company Fisheries Liaison Officers:

Richard Joseph (MarineSpace)

Email:

[Morven-CFLO@marinespace.co.uk](mailto:Morven-CFLO@marinespace.co.uk)

Telephone: +44 7944 981839

James Duffy (MarineSpace)

Email:

[Morven-CFLO@marinespace.co.uk](mailto:Morven-CFLO@marinespace.co.uk)

Telephone: +44 7584068838

## 7 Mooring diagrams

### Metocean DWR mooring:

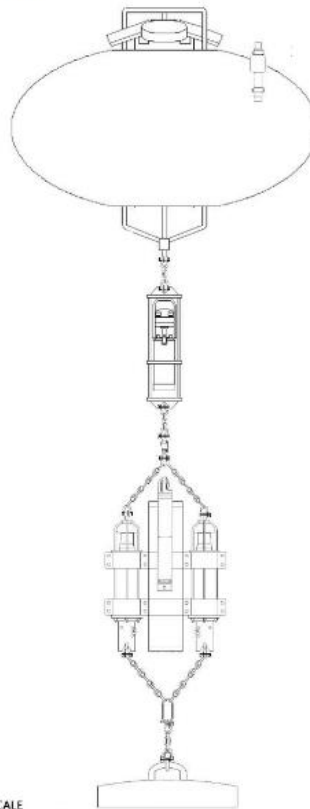
Swing : 126 Length : 143.44m



NOT TO SCALE

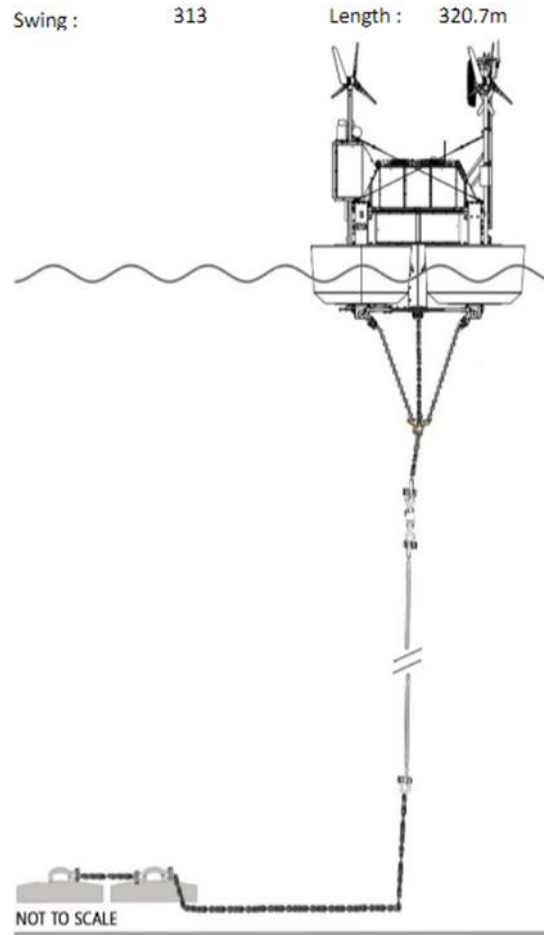
### Metocean subsurface mooring:

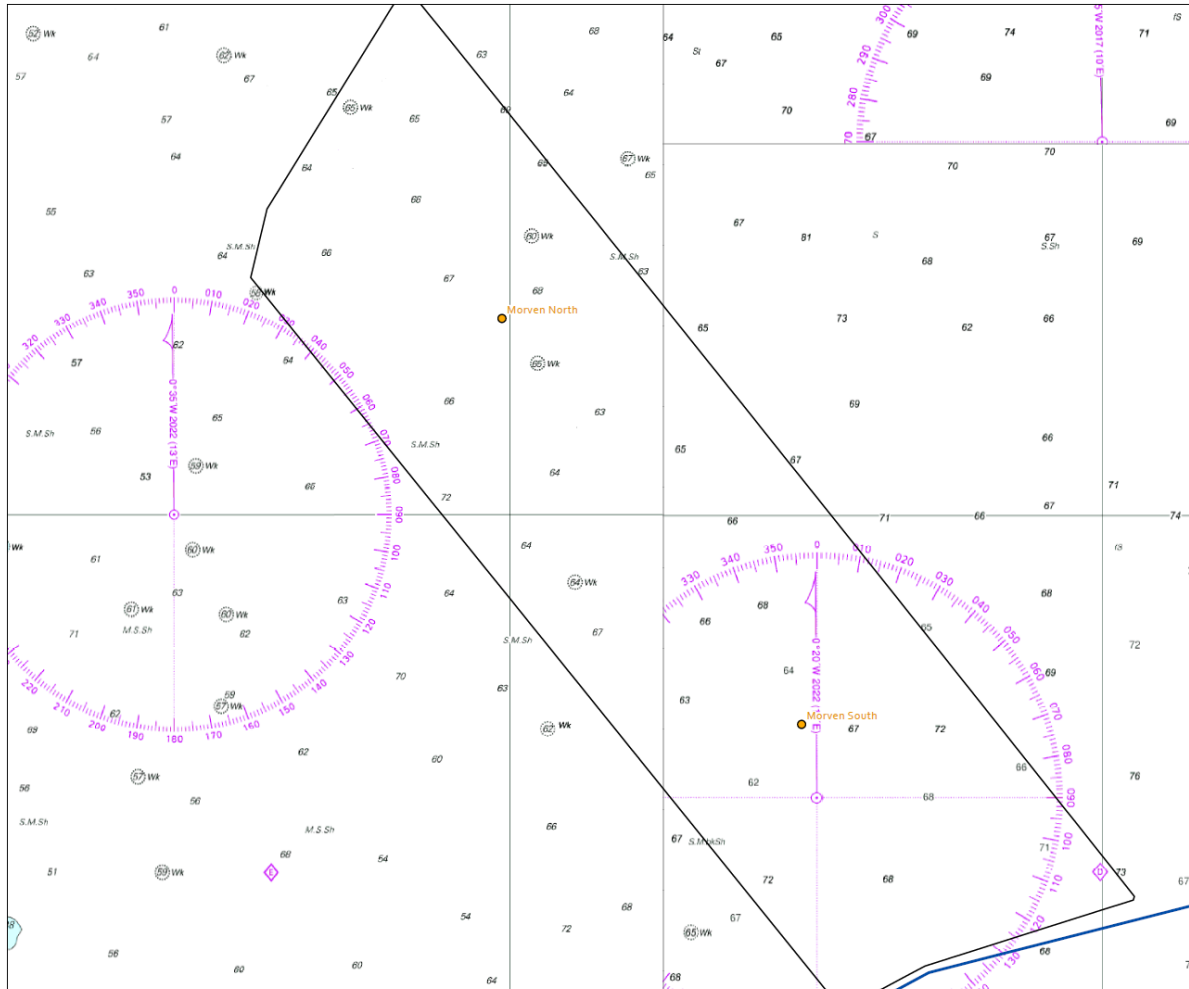
Length : 4.6m



NOT TO SCALE

**FLS mooring:**





This map was produced using the BP OneMap Portal and is valid for reference only and is an uncontrolled document. Shall only be printed in accordance with appropriate export controls. Please contact your region's Geomatics team if a controlled chart is required.

### Morven - MetOcean Buoy Proposed Deployment Locations



Geomatics Ltd  
From the Map



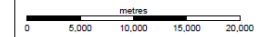
**Legend**

- MetOcean
- Buoy Planned Deployment Locations
- Morven Lease Area
- Scotland
- Adjacent Waters Limit

Service Layer Credits: World Topography, ESRI, WorldCountry, Topographic, Esri, HERE, Garmin, USGS, World Military, Esri, Intermap, NGA, NGA, USGS, World Topographic Map, Esri, UK, Esri, HERE, Garmin, FAO, METINFRA, USGS

**UNCONTROLLED**

Scale at A3 page size **1:350,000**



GCRS: GCS WGS 1984  
Geoidetic Datum: WGS 1984  
PCRS: WGS 1984 Mercator  
Projection: Mercator

Disclaimer: Boundary representation not necessarily authoritative. Map was compiled from various data sources and its accuracy can not be guaranteed. Whilst BP endeavours to ensure the accuracy and completeness of this map is in good faith, no guarantee is or can be made and no warranty is or can be given as to its content, accuracy and completeness. Any and all usage of this map, in hard or digital copy, including any extracted data or information, is entirely at the user's own risk and neither BP nor any of its affiliates companies shall be liable for any alleged loss or damage from such usage. To the fullest extent permitted by law, BP disclaims all warranties, express or implied, of whatever nature regarding the contents of, or any omissions from, this map.

Author: JKERR

Chart No: BP-SBR-MORV-PRJ-0003

Date printed: June 28, 2022

Time printed: 15:35 PM

